

SAINIK SCHOOL PUNGLWA (NAGALAND)
TENDER SCHEDULE: SUPPLY OF WOODEN FURNITURE

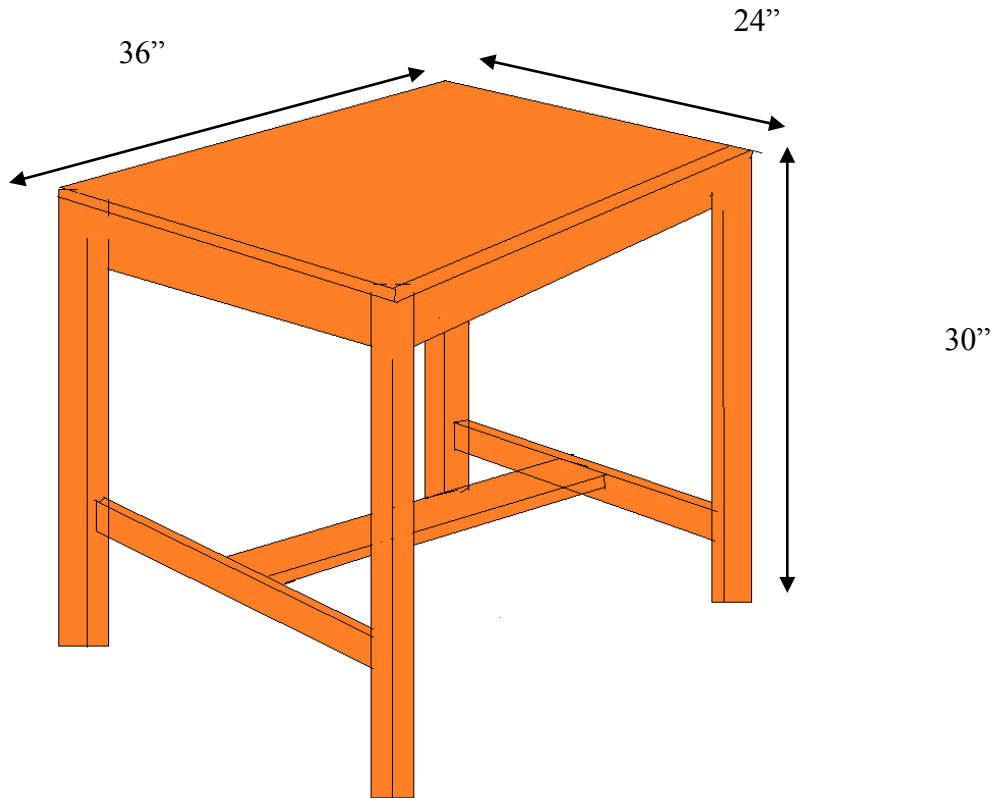
Sr	ITEM	QTY	RATE (Inclusive GST & Transportation charges)	AMT (Rs) (Inclusive GST & Transportation charges)
(a)	Wooden Table : Specification Size: B=24" , L= 36" , H= 30" without Drawer Wood Nagaland Teak (with Varnish finish by spray gun and two coat of melamine sealer and one coat of melamine hardener)	80		
(b)	Wooden Chair without Arm Nagaland Teak : B=16" , L= 18" , H= 34" (with Varnish finish by spray gun and two coat of melamine sealer and one coat of melamine hardener)	80		
			TOTAL	

Total in words Rupees _____
_____ /-)

Date.....

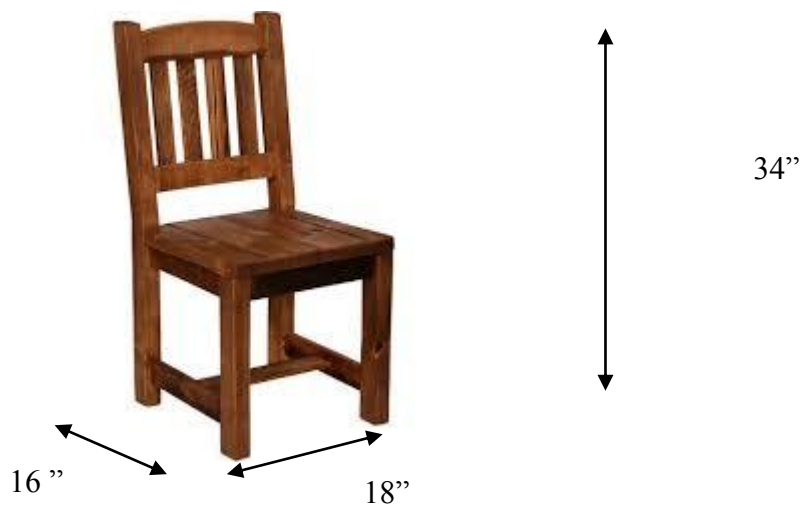
Authorised Signature
and Stamp

SAINIK SCHOOL PUNGLWA



WOODEN TABLE : Size B24" , L 36" , H =30"

Varnish finish and Two Coat of melamine sealer and one coat of Melamine Hardener



CHAIR : Size B 16 " , L 18 " H 34 "

Varnish finish and Two Coat of melamine sealer and one coat of Melamine Hardener